

PRODUCT DATASHEET

Confidex Ironside Flex™



Durable hang tag for hard-to-tag items with industry leading performance

ELECTRICAL SPECIFICATION

Device type

RAIN RFID / EPCglobal Gen2v2

Operational frequency

Global 865-928MHz

IC options and memory configurations

Impinj M730™

- EPC 128 bit; TID 96 bit

EPC memory content

Unique number encoded as a default

Read range (2W ERP)*

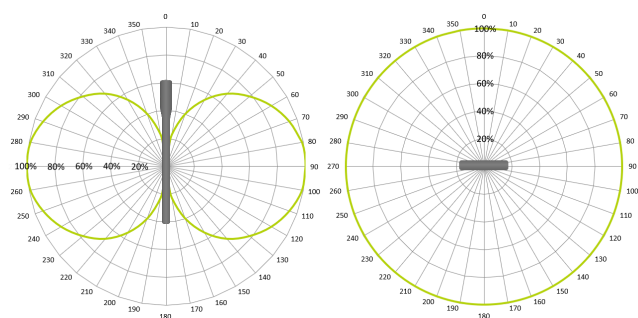
Up to 20 m / 65 ft

Applicable surface materials*

Designed to be hanging from any material including metals. Proximity of metals can influence the read range.

* Read ranges are theoretical values that are calculated for non-reflective environment. Different surface materials may influence performance.

RADIATION PATTERNS



MECHANICAL SPECIFICATION

Tag materials

High quality thermoplastic elastomer

Weight

7 g

Delivery format

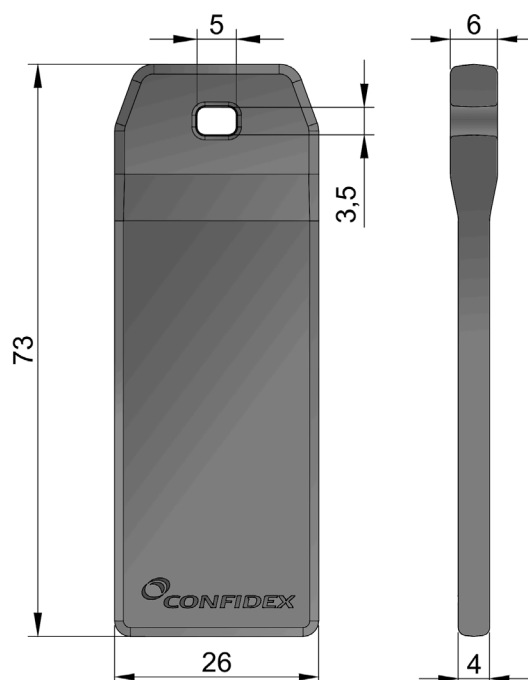
Single

Amount in box

600 pcs

Dimensions

73 x 26 x 6 mm / 2.87 x 1.02 x 0.16 in



ENVIRONMENTAL RESISTANCE

Operating temperature

-35°C to +85°C / -31°F to +185°F

Ambient temperature

-35°C to +85°C / -31°F to +185°F

Peak temperature

+140°C / +284°F for 10min

IP classification

IP68

Chemical resistance

No physical or performance changes in:

- 168 hour Motor oil exposure
- 168 hour Salt water (salinity 10%) exposure
- 168 hour Sulfuric acid (10%, pH 2) exposure
- 168 hour NaOH (10%, pH 13) exposure
- 2h Acetone

Expected lifetime

Years in normal operating conditions

Values in the table are the best recommendations; resistance against environmental conditions depends on the combination of all influencing factors, exposure duration and chemical concentrations. Thus, product's final suitability for certain environmental conditions is recommended to be tested. Contact Confidex for more specific information.

INSTALLATION INSTRUCTIONS

Confidex Ironside Flex™ is designed to be attached hanging from the asset. Attachment can be made for example with plastic cable tie or a metallic wire.

Tag is readable also in close proximity of metals, but it is still recommended to test final read range in actual application.

Tag polarization is along the longest dimension. This should be taken into account when linearly polarized reader antennas are used.



ORDER INFORMATION

Product number: 3004152

Product name: Confidex Ironside Flex™ M730

For other versions, additional information and technical support contact Confidex Ltd.

DISCLAIMER

THE MATERIALS, PRODUCTS AND SERVICES ARE SOLD SUBJECT TO ITS STANDARD CONDITIONS OF SALE, WHICH ARE INCLUDED IN THE APPLICABLE DISTRIBUTOR OR OTHER SALES AGREEMENT. ALTHOUGH ANY INFORMATION, RECOMMENDATIONS, OR ADVICE CONTAINED HEREIN IS GIVEN IN GOOD FAITH, CONFIDEX MAKES NO WARRANTY OR GUARANTEE, EXPRESS OR IMPLIED, (i) THAT THE RESULTS DESCRIBED HEREIN WILL BE OBTAINED UNDER END-USE CONDITIONS, OR (ii) AS TO THE EFFECTIVENESS OR SAFETY OF ANY DESIGN INCORPORATING ITS PRODUCTS, MATERIALS, SERVICES, RECOMMENDATIONS OR ADVICE. EXCEPT AS PROVIDED IN CONFIDEX STANDARD CONDITIONS OF SALE, CONFIDEX AND ITS REPRESENTATIVES SHALL IN NO EVENT BE RESPONSIBLE FOR ANY LOSS RESULTING FROM ANY USE OF ITS MATERIALS, PRODUCTS OR SERVICES DESCRIBED HEREIN.

Each user bears full responsibility for making its own determination as to the suitability of Confidex products, materials, services, recommendations, or advice for its own particular use. Each user must identify and perform all tests and analyses necessary to assure that its finished systems incorporating Confidex products, materials, or services will be safe and suitable for use under end-use conditions. Nothing in this or any other document, nor any oral recommendation or advice, shall be deemed to alter, vary, supersede, or waive any provision of this Disclaimer, unless any such modification is specifically agreed to in a writing signed by Confidex.

PERSONALIZATION

Pre-encoding

- Customer specific encoding of EPC or user memory. Locking permanently or with password.

Customized laser engraving

- Customer specific layout including logo, text, numbers.